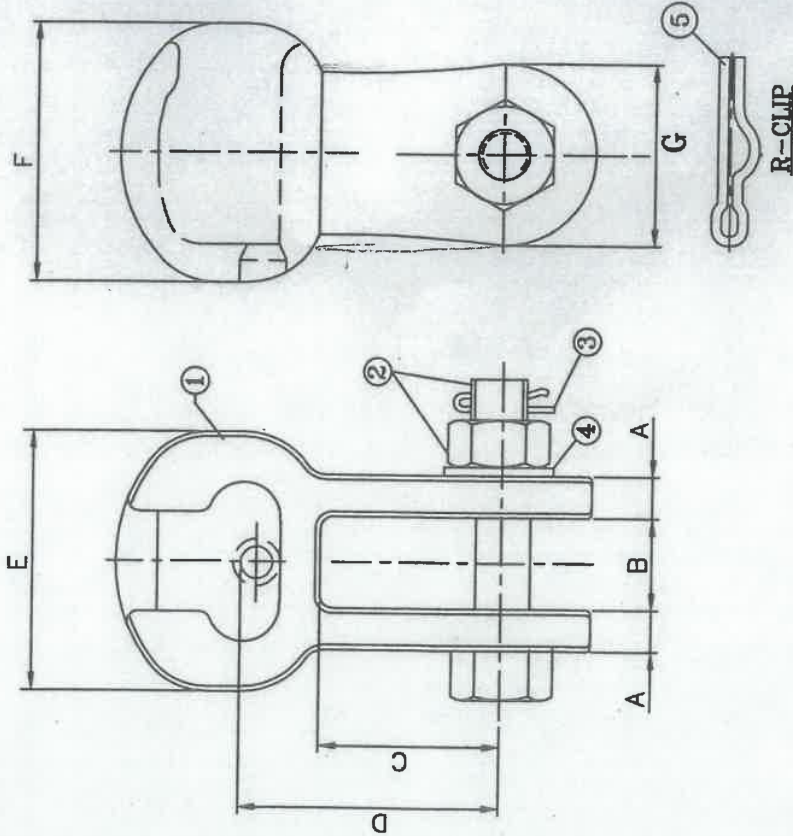


TECHNICAL DETAILS:-

- 1) ALL DIMENSIONS ARE IN mm.
- 2) GENERAL TOLERANCE $\pm 3\%$
- 3) ALL FERROUS PARTS ARE HOT DIP GALVANISED AS PER POWERGRID SPECIFICATION.
- 4) ALL DIMENSIONS ARE AFTER GALVANISATION EXCEPT DRILLED HOLES.



PART No.	UTS(KN)	A	B	C	D	E	F	G	DESIGNATION	BOLT SIZE & GRADE
SC-235-01	235	14-15	24-26	73-76	100	80-85	75-80	56-60	24MM	22 (5.6)
SC-175-01	175	12-14	23-24	75-80	100	65-71	65-71	50-51	20MM	22 (5.6)
SC-120-01	120	12-14	23-24	75-80	100	65-71	65-71	45-52	20MM	20 (5.6)
SC-90-01	90	10-12	22-25	50(MIN)	70	52-60	51-60	35-40	16(B)MM	16 (5.6)

**POWER GRID CORPORATION
OF INDIA LIMITED**
(A GOVERNMENT OF INDIA ENTERPRISE)



CLEARED BY

<i>[Signature]</i> S.R. GM (ENGG-TL)	<i>[Signature]</i> CGM (ENGG-TL)	<i>[Signature]</i> ED (ENGG)
14.11.19	<i>[Signature]</i> CH. MGR. (ENGG-TL)	<i>[Signature]</i> GM (ENGG-TL)
DATE	MGR. (ENGG-TL)	

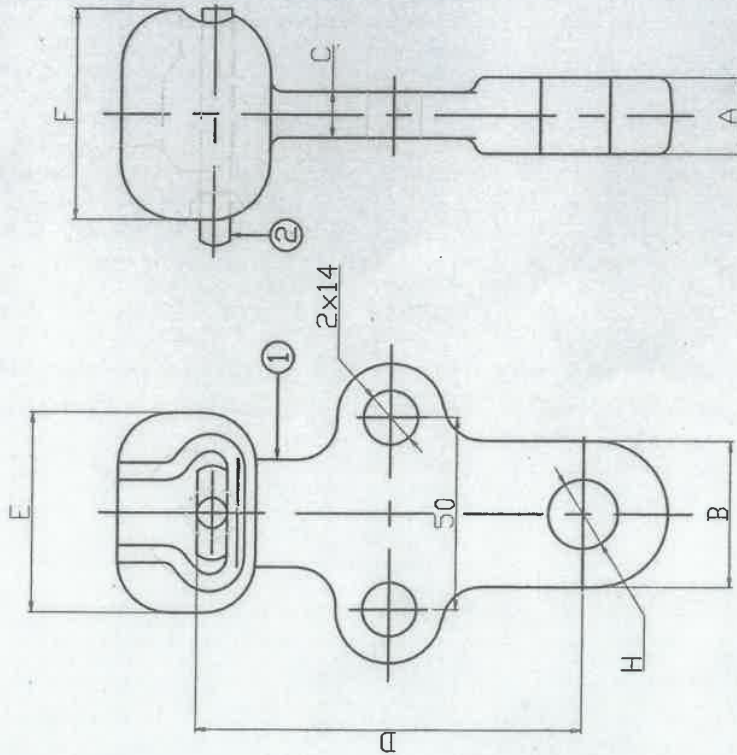
TITLE:- SOCKET CLEVIS

DRG. NO. :- CC-ENGG:TL/HW-SC-001


No.	DESCRIPTION	MATERIAL	QTY.
5	R-CLIP	STAINLESS STEEL, AIST-304	1
4	PLAIN WASHER	MILD STEEL Fe-410,IS:2062	1
3	SPLIT PIN	STAINLESS STEEL, AIST-304	1
2	NUT & BOLT	MILD STEEL, IS:2062, Fe-410, IS:2062	1,1
1	SOCKET CLEVIS	FORGED STEEL CL-IV IS:2004	1

TECHNICAL DETAILS:-

- 1) ALL DIMENSIONS ARE IN mm.
- 2) GENERAL TOLERANCE $\pm 3\%$
- 3) ALL FERROUS PARTS ARE HOT DIP GALVANISED AS PER POWER GRID SPECIFICATION
- 4) ALL DIMENSIONS ARE AFTER GALVANISATION EXCEPT DRILLED HOLES.
- 5) SOCKET DESIGNATION 16 mm(B) FOR 90kN & 20 mm FOR 120kN AS PER IS:2486 (PART-II)



PART No.	UTS(KN)	A	B	C	D	E	F	H
SE-120-01	120	20	45-50	11-14	80-125	60-65	60-65	24
SE-90-01	90	18-20	36-40	10-13	80-115	52-60	51-60	18


**POWER GRID CORPORATION
OF INDIA LIMITED**
 (A GOVERNMENT OF INDIA ENTERPRISE)

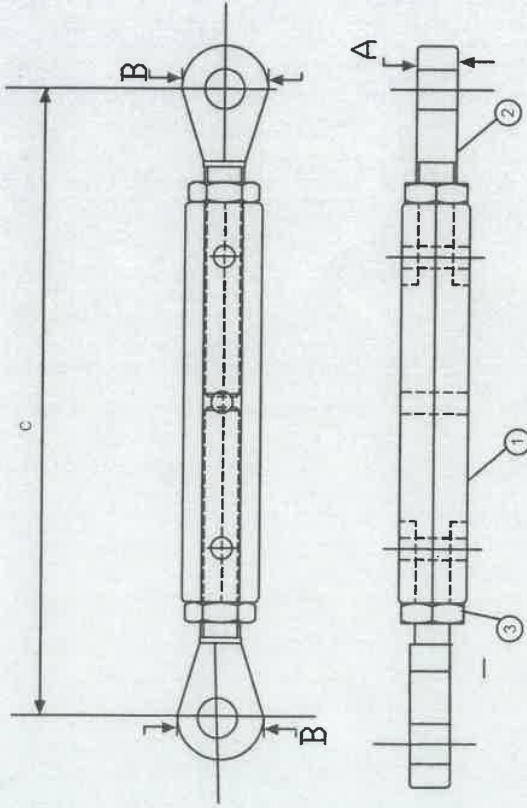
Cleared by		TITLE:-		SOCKET EYE
SR. CH. (ENGG-TL)	COM (ENGG-TL)	ED (ENGG)		
14.11.19	21/3/21			
DATE	MGR. (ENGG-TL)	CHK-1/GR. (ENGG-TL)	DRG. NO. :- CC:ENGG:TL/HW:SE-001	
		CM (ENGG-TL)		

No.	DESCRIPTION	MATERIAL	QTY.
2	R-CLIP	STAINLESS STEEL AISI-304	1
1	SOCKET EYE	FORGED STEEL CL-IV IS:2004	1

TECHNICAL DETAIL :-

- 1) ALL DIMENSIONS ARE IN mm.
- 2) GENERAL TOLERANCE ±3Z
- 3) ALL FERROUS PARTS ARE HOT DIP GALVANISED AS PER POWERGRID SPECIFICATION.
- 4) ALL DIMENSIONS ARE AFTER GALVANISATION EXCEPT DRILLED HOLES.

PART No.	UTS(KN)	A	B	C	HOLE SIZE
TB-160-01	160	20	48-60	370-520	24
TB-120-01	120	20	48-60	370-520	22



No.	DESCRIPTION	MATERIAL	QTY.
3	CHECK NUT	MILD STEEL FE-410 IS-2062	2
2	EYE BOLT	FORGED STEEL CL-IV, IS-2004	2
1	BODY	FORGED STEEL CL-IV, IS-2004	1

**POWER GRID CORPORATION
OF INDIA LIMITED**
 (A GOVERNMENT OF INDIA ENTERPRISE)



CLEARED BY

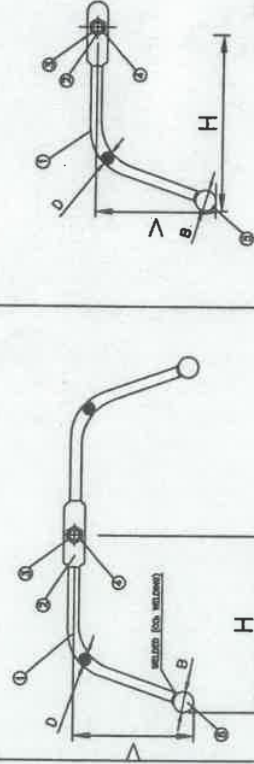
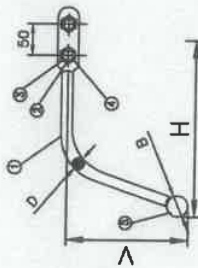
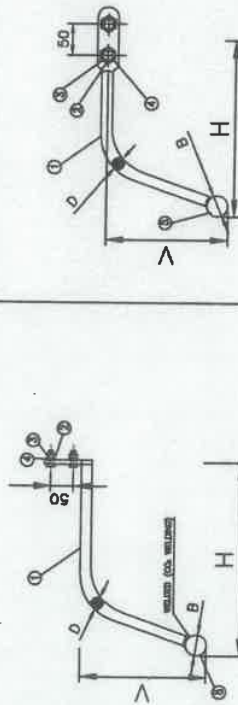
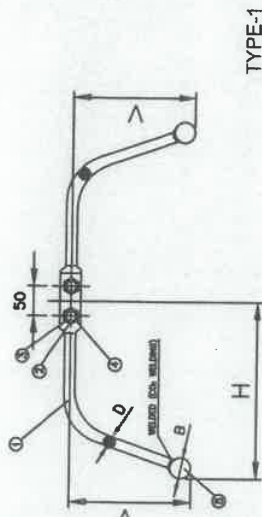
<i>[Signature]</i> SR. GM (ENGG-TL)	<i>[Signature]</i> CGM (ENGG-TL)	<i>[Signature]</i> ED (ENGG)
14/11/19	<i>[Signature]</i> MGR. (ENGG-TL)	<i>[Signature]</i> GM (ENGG-TL)
DATE	CH. MGR. (ENGG-TL)	GM (ENGG-TL)

TITLE:- TURN BUCKLE

DRG. NO. :- CC:ENGG:TL/HW:TB-001

TECHNICAL DETAILS:

- 1) ALL DIMENSIONS ARE IN mm.
- 2) NO DEFORMATION LOAD IS 1.5 KN.
- 3) GENERAL TOLERANCES : ±3%.
- 4) ALL DIMENSIONS ARE AFTER GALVANISATION EXCEPT DRILLED HOLES.
- 5) ALL FERROUS PARTS HOT DIP GALVANISED AS PER POWER GRID SPECIFICATION.
- 6) SPRING WASHER ELECTRO GALVANISED.



No.	DESCRIPTION	MATERIAL	QTY.
5	BALL	FORGED STEEL CL-11, IS:2004	1
4	PLAIN WASHER (M12)	MILD STEEL Fe-410, IS:2062	2 for Type 1, 2, 3, 4 1 for Type 4, 5
3	SPRING WASHER (M12)	SPRING STEEL IS:4072 & 3063	2 for Type 1, 2, 3, 4 1 for Type 4, 5
2	BOLT & NUT (M12)	MILD STEEL IS:2062, IS:2063	2.2 for Type 1, 2, 3, 4 1.1 for Type 4, 5
1	ARCING HORN	MILD STEEL Fe-410, IS:2062	1

PART No.	TYPE	V	H	D	B
AH-BL-01A	1	115	350	16	40
AH-BL-01B	1	190	400	20	50
AH-BL-02A	2	115	350	16	40
AH-BL-02B	2	190	400	20	50
AH-BL-02C	2	400	410	20	50
AH-BL-03A	3	115	350	16	40
AH-BL-03B	3	190	400	20	50
AH-BL-04	4	115	350	16	40
AH-BL-05	5	190	350	16	40

**POWER GRID CORPORATION
OF INDIA LIMITED**
(A GOVERNMENT OF INDIA ENTERPRISE)



CLEARED BY

Sr. GM
(ENGG-DC)

CGM
(ENGG-TL)

ED
(ENGG)

TITLE:- ARCING HORN(BALL)

DATE

MGR.
(ENGG-TL)

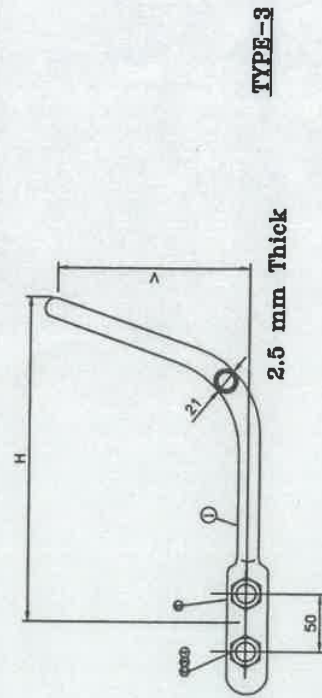
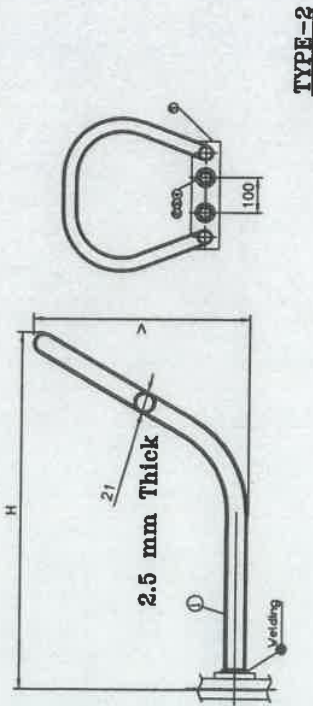
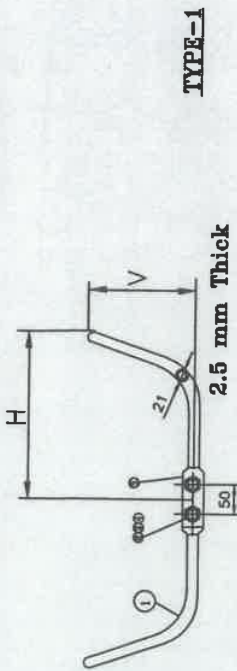
CH. MGR.
(ENGG-TL)

GM
(ENGG-TL)

DRG. NO. :- CC-ENGG:TL/HW:AHB-001

TECHNICAL DETAILS:

- 1) ALL DIMENSIONS ARE IN mm.
- 2) NO DEFORMATION LOAD IS 1.5 KN.
- 3) GENERAL TOLERANCES : ±3%
- 4) ALL DIMENSIONS ARE AFTER GALVANISATION EXCEPT DRILLED HOLES.
- 5) ALL FERROUS PARTS HOT DIP GALVANISED AS PER POWER GRID SPECIFICATION.
- 6) SPRING WASHER ARE ELECTRO GALVANISED.



PART NO.	TYPE	V	H
AH-RC-01	1	115	445
AH-RC-02	2	250	350
AH-RC-03	3	150	445

**POWER GRID CORPORATION
OF INDIA LIMITED**
(A GOVERNMENT OF INDIA ENTERPRISE)



CLEARED BY

SR. CH
(ENGG-TL)

CCM
(ENGG-TL)

ED
(ENGG)

12.11.19 2.162

DATE

MGR.
(ENGG-TL)

CH. MGR.
(ENGG-TL)

GM
(ENGG-TL)

TITLE:- ARCING HORN(RACKET)

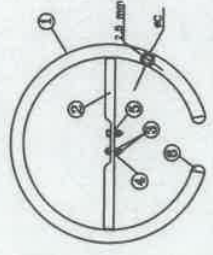
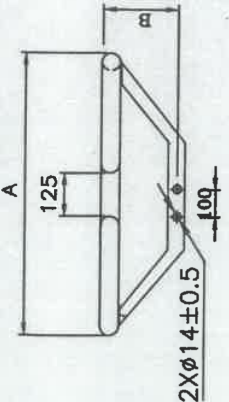
DRG. NO. :- CC:ENGG:TL/HW/AHR-001

No.	DESCRIPTION	MATERIAL	QTY.
5	FLAT	MILD STEEL Fe-410 IS:2062	1
4	PLAIN WASHER (M12)	MILD STEEL Fe-410, IS:2062	2
3	SPRING WASHER (M12)	SPRING STEEL IS:4072 & 3063	2
2	BOLT & NUT (M12)	MILD STEEL IS:4072, IS:4073, IS:4074	2,2
1	ARCING HORN	MILD STEEL Fe-410, IS:2062	1

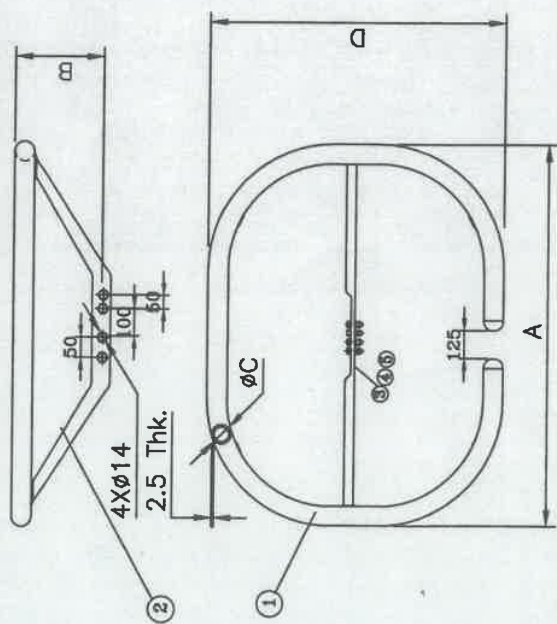
TECHNICAL DETAILS:-

- 1) ALL DIMENSIONS ARE IN mm.
- 2) NO DEFORMATION LOAD 1.5 kN
- 3) GENERAL TOLERANCE $\pm 3\%$
- 4) ALL FERROUS PARTS ARE HOT DIP GALVANISED AS PER POWER GRID SPECIFICATION
- 5) ALL DIMENSIONS ARE AFTER GALVANISATION EXCEPT DRILLED HOLES.
- 6) SPRING WASHERS ARE ELECTRO GALVANISED.

Comp No.	TYPE	A	B	C	D
CR-765-01	1	700	370	75	NA
CR-765-02	2	1200	370	75	900
CR-400-01	1	600	270	60	NA
CR-400-02	2	1200	250	60	600



TYPE-1



TYPE-2

No.	DESCRIPTION	MATERIAL	QTY.
6	ALUMINIUM CAP	ALUMINIUM ALLOY A-6 IS-617	2
5	SPRING WASHER	SPRING STEEL IS-4072 & IS-3069	3 FOR TYPE-1 4 FOR TYPE-2
4	PLAIN WASHER (2.5 mm THK.)	MILD STEEL Fe-410 IS-2062	3 FOR TYPE-1 4 FOR TYPE-2
3	BOLT & NUT (M12)	GALVANISED STEEL GR 5.6 IS-2062	3.0 FOR TYPE-1 4.4 FOR TYPE-2
2	BRACKET	ALUMINIUM ALLOY	1
1	CORONA RING	ALUMINIUM ALLOY	1

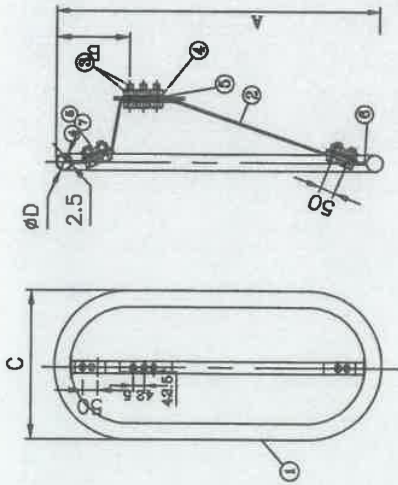
POWER GRID CORPORATION OF INDIA LIMITED
(A GOVERNMENT OF INDIA ENTERPRISE)



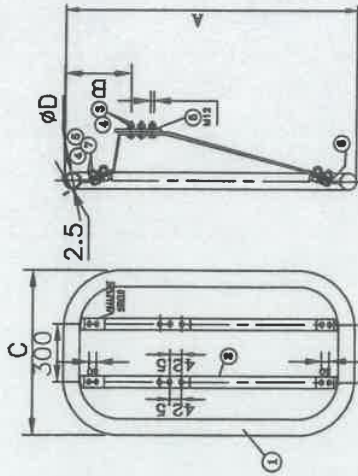
CLEARED BY		TITLE:- CORONA RING	
SR. GM (ENGG-TL)	CGM (ENGG-TL)	ED (ENGG)	GM (ENGG-TL)
14.11.19	21.12		
DATE	MGR. (ENGG-TL)	CH. MGR. (ENGG-TL)	DRG. NO. :- CC:ENGG:TL/HW:CR-001

TECHNICAL DETAILS:-

- 1) ALL DIMENSIONS ARE IN mm.
- 2) GENERAL TOLERANCE $\pm 3\%$
- 3) ALL FERROUS PARTS ARE HOT DIP GALVANISED AS PER POWER GRID SPECIFICATION
- 4) ALL DIMENSIONS ARE AFTER GALVANISATION EXCEPT DRILLED HOLES.
- 5) SPRING WASHERS ARE ELECTRO GALVANISED.
- 6) NO DEFORMATION LOAD IS 1.5 KN.



TYPE-3



TYPE-4

Comp No.	TYPE	A	B	C	D
CR-765-03A	3	1510	350	600	75
CR-765-04A	4	1800	350	1200	75
CR-400-03A	3	1100	250	500	60
CR-400-03B	3	600	250	500	60
CR-400-03C	3	1200	250	800	60
CR-400-03D	3	1150	350	850	60
CR-400-04A	4	1550	250	900	60
CR-400-04B	4	1700	650	900	60

**POWER GRID CORPORATION
OF INDIA LIMITED**
(A GOVERNMENT OF INDIA ENTERPRISE)



CLEARED BY

SR. GM
(ENGG-TL)

CGM
(ENGG-TL)

MGR.
(ENGG-TL)

ED
(ENGG)

TITLE:- CORONA RING

19/11

21/12

19

GM
(ENGG-TL)

CH. MGR.
(ENGG-TL)

DATE

QTY.

MATERIAL

1
CORONA RING

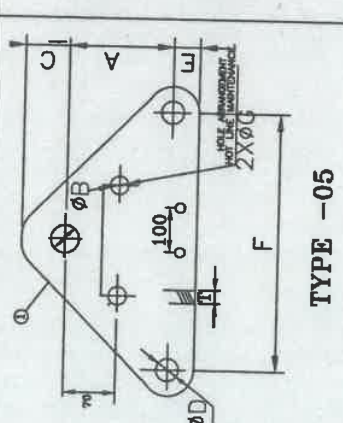
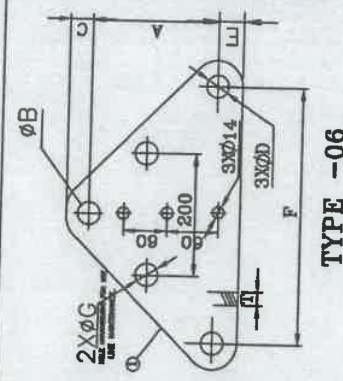
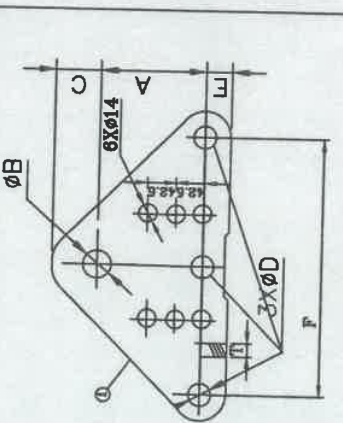
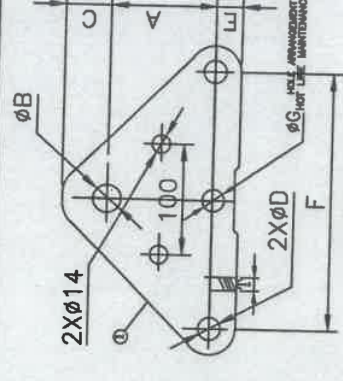
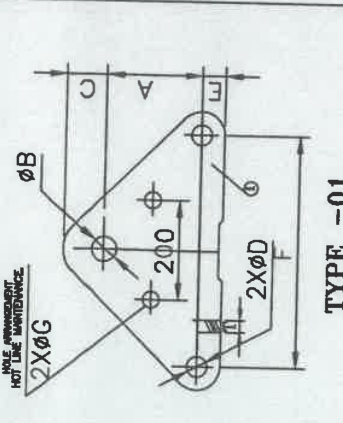
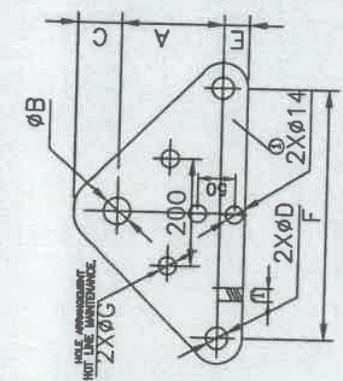
ALUMINIUM ALLOY 6063 IS:783

DESCRIPTION

DRG. NO. :- CC-ENGG:TL/HW:CR-002

TECHNICAL DETAILS:-

- 1) ALL DIMENSIONS ARE IN mm.
- 2) GENERAL TOLERANCE $\pm 3\%$
- 3) ALL FERROUS PARTS ARE HOT DIP GALVANISED AS PER POWER GRID SPECIFICATION
- 4) ALL DIMENSIONS ARE AFTER GALVANISATION EXCEPT DRILLED HOLES.



PART No.	UTS(KN)	TYPE	T	A	B	C	D	E	F	G
YP-TR-920-01	920	1	32	150	42	90	33	50	457	29
YP-TR-640-01	640	1	28	150	38	75	29	45	457	24
YP-TR-470-02	470	2	25	130	33	56	24	36	457	24
YP-TR-420-01	420	1	22	150	33	56	24	36	457	24
YP-TR-350-02	350	2	20	130	29	53	24	36	457	24
YP-TR-280-01	280	1	20	100	29	53	24	36	457	22
YP-TR-240-02A	240	2	20	100	24	38	22	33	457	22
YP-TR-240-02B	240	2	20	100	24	38	22	33	330	22
YP-TR-240-05	240	5	20	100	24	38	22	33	330	22
YP-TR-180-01	180	1	20	100	24	38	18	27	330	22
YP-TR-180-02	180	2	20	100	24	38	18	27	330	22
YP-TR-160-04	160	4	20	100	24	42	22	33	457	22
YP-TR-120-04	120	4	16	100	22	33	18	27	450	22
YP-TR-120-05	120	5	16	100	22	33	18	27	450	22
YP-TR-120-06	120	6	16	150	22	33	22	33	457	22
YP-TR-80-01	80	1	16	120	22	33	24	36	457	22
YP-TR-80-03	80	3	16	120	22	39	22	33	792	22

POWER GRID CORPORATION OF INDIA LIMITED
(A GOVERNMENT OF INDIA ENTERPRISE)



CLEARED BY
SR. GM (ENGG-TL)
CGM (ENGG-TL)
ED (ENGG)

TITLE:- YOKE PLATE-TRIANGULAR

DATE: 04-11-19
MGR (ENGG-TL)
CH. MGR (ENGG-TL)
GM (ENGG-TL)

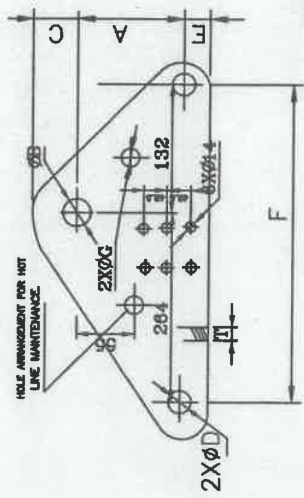
DRG. NO. :- CC:ENGG:TL/HW:YP-TR-001

No.	YOKE PLATE DESCRIPTION	MATERIAL	QTY.
1	YOKE PLATE	MILD STEEL Fe-410 IS-2062	

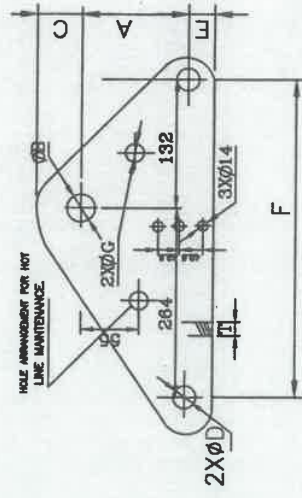
TECHNICAL DETAILS:-

- 1) ALL DIMENSIONS ARE IN mm.
- 2) GENERAL TOLERANCE $\pm 3\%$
- 3) ALL FERROUS PARTS ARE HOT DIP GALVANISED AS PER POWERGRID SPECIFICATION.
- 4) ALL DIMENSIONS ARE AFTER GALVANISATION EXCEPT DRILLED HOLES.

PART No.	UTS(KN)	TYPE	T	A	B	C	D	E	F	G
YP-TR-470-07	470	7	22	120	33	56	24/29	44	396	24
YP-TR-120-08	120	8	16	100	22	33	22/24	36	396	22



TYPE -07



TYPE -08

POWER GRID CORPORATION OF INDIA LIMITED
(A GOVERNMENT OF INDIA ENTERPRISE)



CLEARED BY

SR. GM (ENGG-TL) [Signature]
CGM (ENGG-TL) [Signature]
ED (ENGG) [Signature]

TITLE:- YOKE PLATE-TRIANGULAR

14.11.19 2:02 PM
MGR (ENGG-TL) [Signature]
CH. MGR (ENGG-TL) [Signature]
GM (ENGG-TL) [Signature]

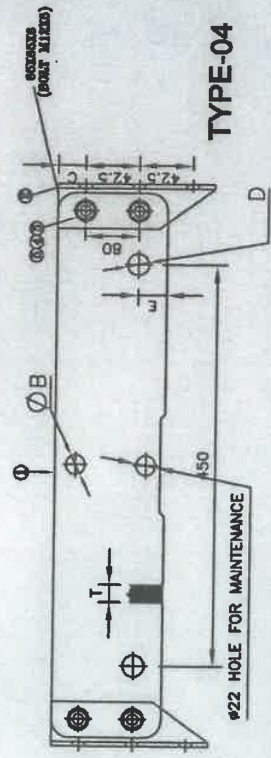
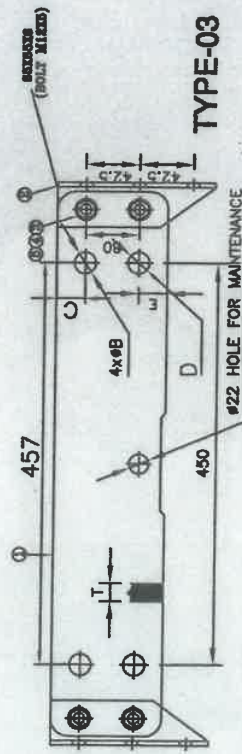
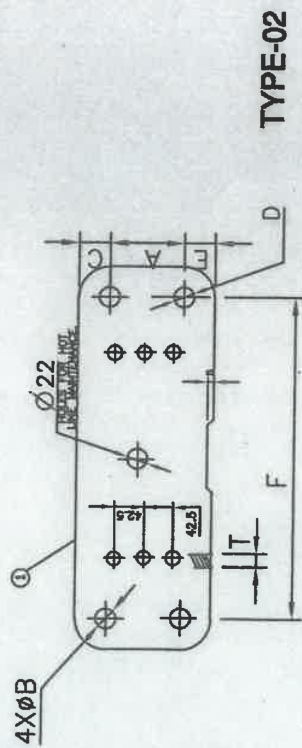
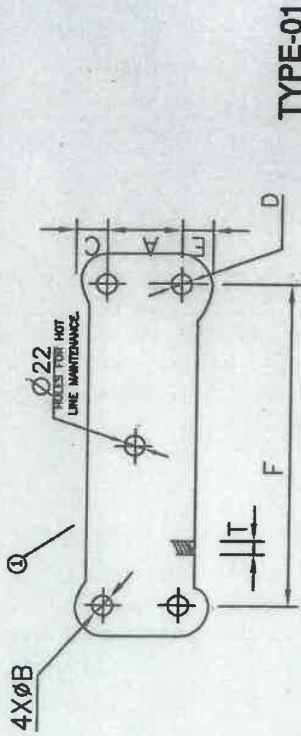
DRG. NO. :- CC-ENGG:TL/HW:YP-TR-002

1	YOKE PLATE	MILD STEEL Fe-410,IS:2062	1
No.	DESCRIPTION	MATERIAL	QTY.

TECHNICAL DETAILS:-

- 1) ALL DIMENSIONS ARE IN mm.
- 2) GENERAL TOLERANCE $\pm 3\%$
- 3) ALL FERROUS PARTS ARE HOT DIP GALVANISED AS PER POWERGRID SPECIFICATION.
- 4) ALL DIMENSIONS ARE AFTER GALVANISATION EXCEPT DRILLED HOLES.

PART No.	UTS(KN)	T	A	B	C	D	E	F
YP-RT-350-01	350	20	80	24	36	24	36	457
YP-RT-320-02	320	20	80	24	36	24	36	457
YP-RT-320-03	320	20	80	24	36	24	36	NA
YP-RT-120-04	120	16	80	22	33	24	36	450
YP-RT-80-01	80	16	80	22	33	24	36	457



1	YOKE PLATE	MILD STEEL Fe-410 IS:2062	1
No.	DESCRIPTION	MATERIAL	QTY.

**POWER GRID CORPORATION
OF INDIA LIMITED**
(A GOVERNMENT OF INDIA ENTERPRISE)



CLEARED BY

SR, OM (ENGG-TL)	CGM (ENGG-TL)	ED (ENGG)
14.11.17		
DATE	MGR. (ENGG-TL)	CH, MGR. (ENGG-TL)
		GM (ENGG-TL)

**TITLE:- RECTANGULAR
YOKE PLATE**

DRG. NO. :- CC:ENGG:TL/HW:YP-RT-001